

iQ Series EZ Ultrasonic Stapler



30 kHz 600 watt *iQ* Series

The new *iQ* EZ Stapler makes blister/clamshell sealing easier than ever. The welding process itself is activated with a foot-switch once the packaging material is properly positioned. The easy to learn process helps make for faster cycle times.

Dukane's patented *iQ* 30 kHz 600 watt generator controls the *iQ* EZ Stapler. With custom tooling, a wide variety of weld patterns or spot welds can be created. The stapler can be put on a workbench, or wall-mounted on its own support structure.

The *iQ* EZ Stapler can weld films, non-woven materials, coated and laminated packaging, and foil packages. Thermoplastics such as PET, PERG, PE, PP, PVC and PVA are all appropriate for use.

Like all of Dukane's products, the *iQ* EZ Stapler can be integrated into an automated system.

Features

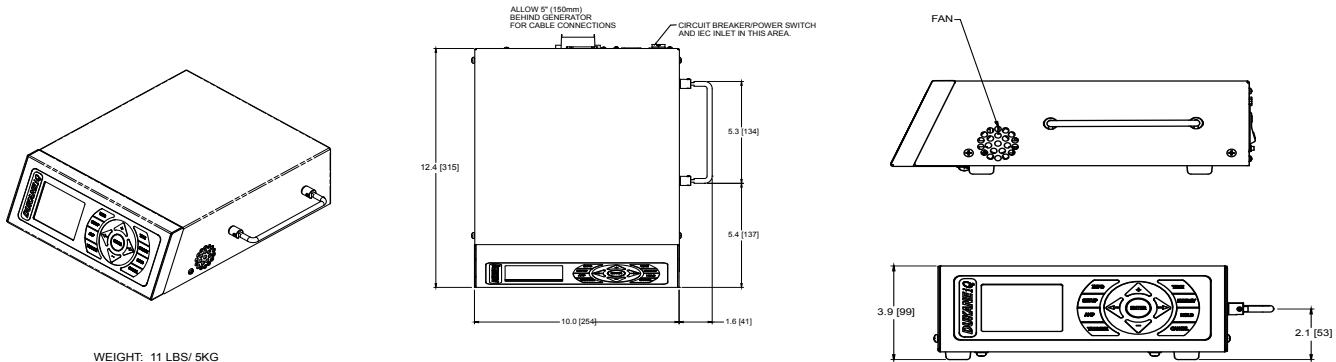
- Use with Dukane Patented *iQ* Ultrasonic 30 kHz generator technology*
- Seals clamshells and blister packs efficiently and economically
- Wide variety of sealing anvil patterns
- Small foot print allows for portability and efficient work environment
- Vertical or horizontal mounting capabilities
- "Green" sealing solution
- Multiple units can be used with *iQ* MPC for multi point welding on larger applications
- Simple EZ set up
- Reduces operator fatigue from conventional hand probe systems.
- Highly consistent weld results are achieved through the use of Weld by Energy and patented Trigger by Power features.*

*US Patent #7475801

Power Supply Features

- **Ultrasonic overload protection**, with fault indication for ease of troubleshooting. The overload power limit is based on **true RMS power output level**.
- **Patented pulse-width modulation** design delivers power more efficiently with substantially less stress on electrical components for superior performance, reliability and extended life.
- **Linear ramp soft-start** algorithm allows the acoustic stack to be brought to operating amplitude smoothly, minimizing start-up surges and abnormal stress to the stack and power supply.
- **Line voltage regulation** compensates for line fluctuations assuring consistent amplitude.
- **Load regulation** provides constant ultrasound amplitude automatically regardless of power draw. The ultrasonic output amplitude level is held to within 1% to provide weld process consistency.
- **Eight programmable setups**.
- **Highest power density** per unit volume. Most power in the smallest package at highest duty cycle.
- **0.5 ms sampling rate**, fastest in the industry.

Generator: 30HP60-1H



Generator Part No.	Probe Part #	Line Voltage	Frequency kHz	Wattage
30HP060-1H	41Q60RC	100-120 VAC 50/60 Hz	30	600 W
30HP060-2H	41Q60RC	200-240 VAC 50/60 Hz	30	600 W

iQ Series EZ Ultrasonic Stapler Diagram

